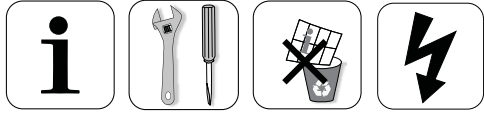


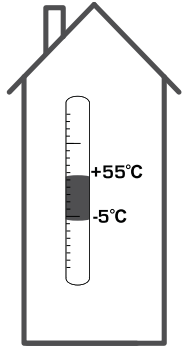
# ESBE SERIES ARA600 Prop



Series ARA639  
Series ARA659

CE

LVD 2006/95/EC  
EMC 89/336/EEC  
RoHS 2002/95/EEC



**i**



+



VRG130, VRG140, VRG230, VRG330, VRB140,

3MG, 4MG



3G, 4G

3F, 4F ≤ DN50

3HG, 4HG, 3H, 4H

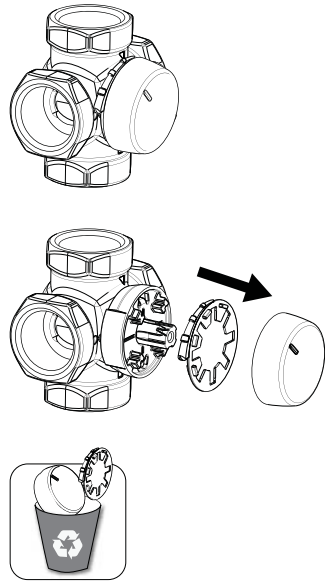


BIV

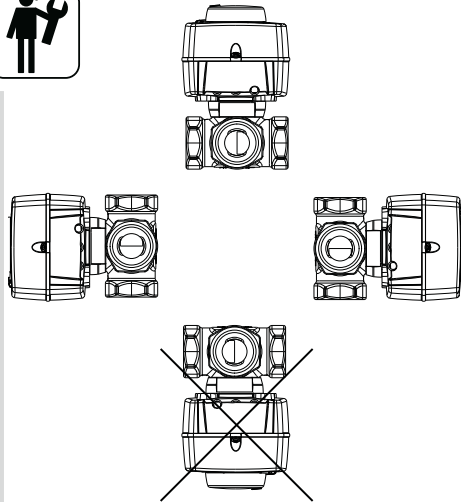


T, TM

**1**



**2**

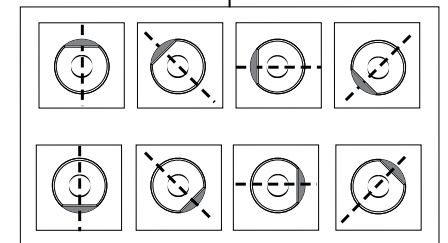
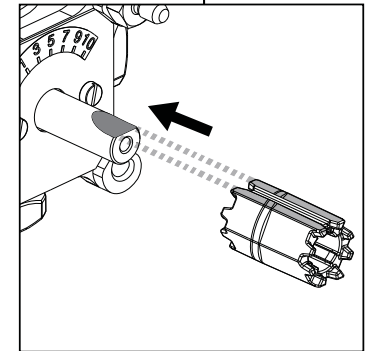
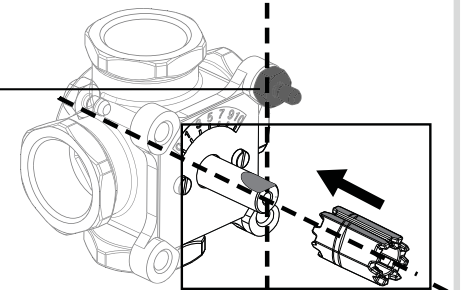


**3**

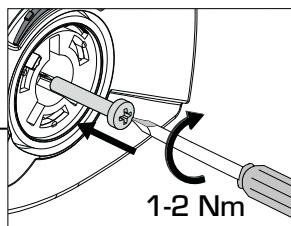
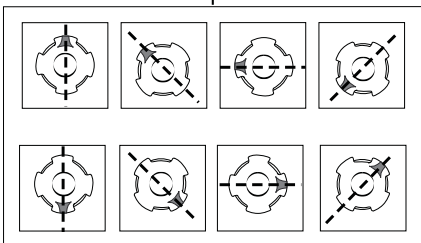
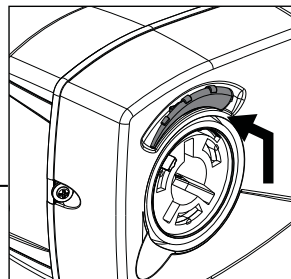
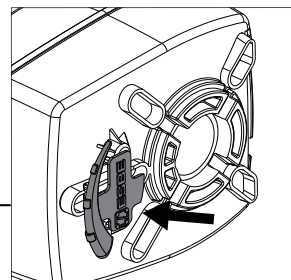
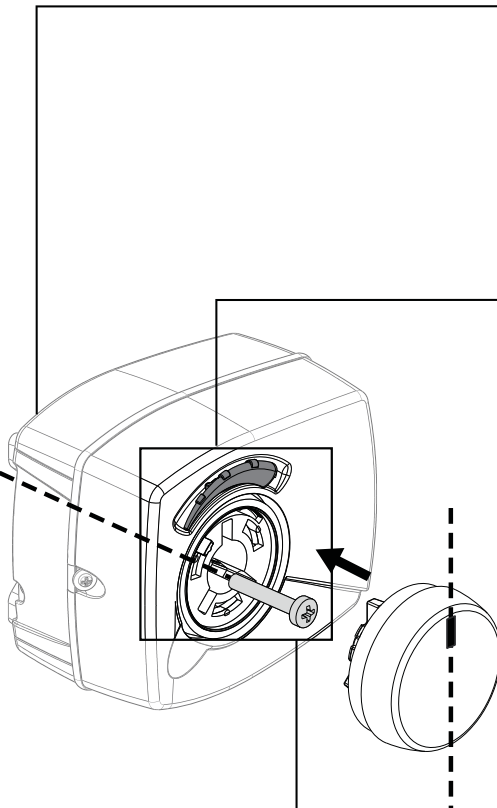
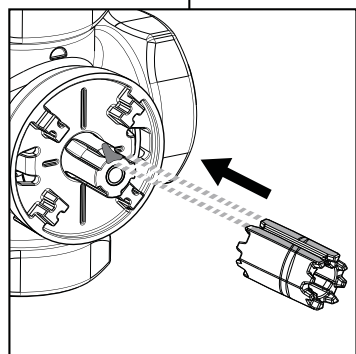
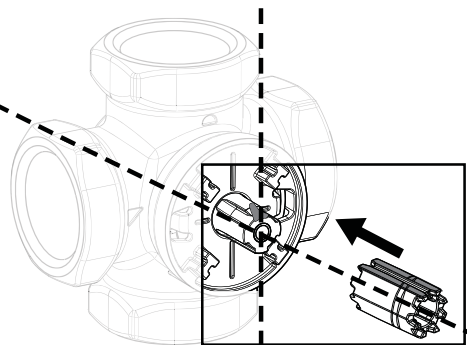


MG, G, F, H, HG, BIV, T, TM

	DN15-25	
	DN20-40	
	DN50	
	DN20-25	
	DN32-50	
	H: DN25	
	H: DN32-50	
	HG: DN25	
	DN20-22	
	DN25	
	T: DN20-32	
	TM: DN20	



**VRG130, VRG140, VRG230,  
VRG330, VRB140**



**ESBE®**

[www.esbe.se](http://www.esbe.se)

Mtrl.nr: 9814 02 76 • Ritnr: 8092 utg. H • Rev. 1204



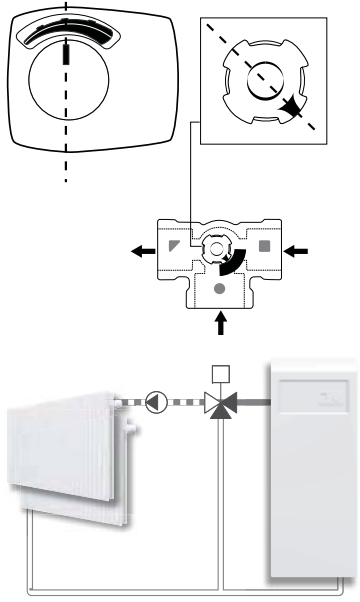
**SERIES ARA600 Prop**

**ESBE®**

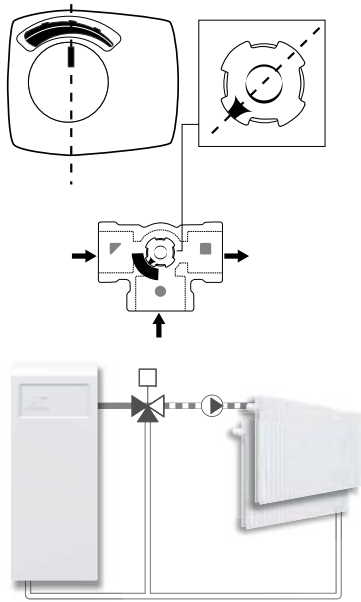
**NO.1 IN HYDRONIC SYSTEM CONTROL**

**SERIES VRG130**

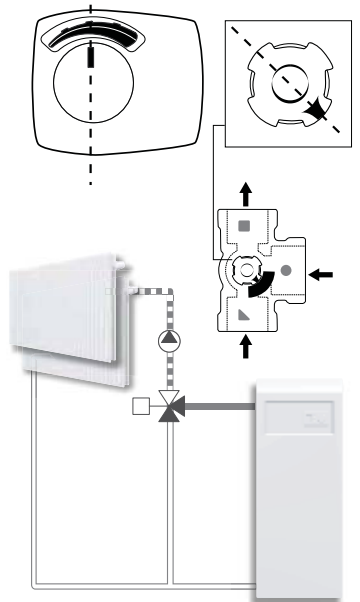
**a**



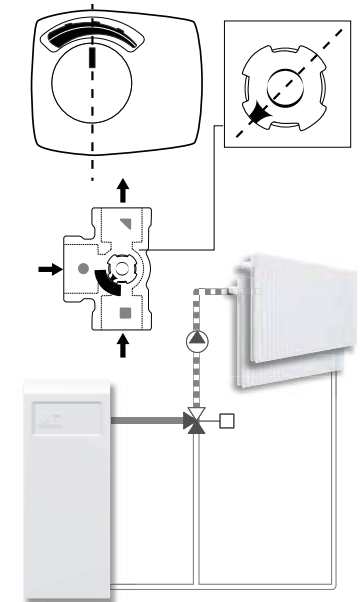
**b**



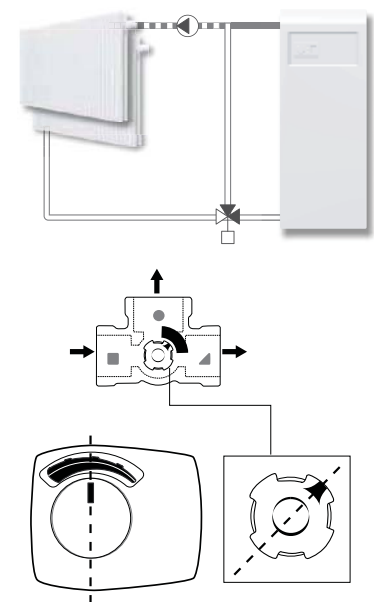
**c**



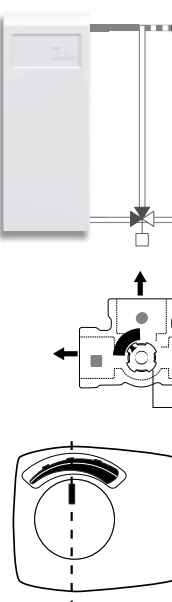
**d**



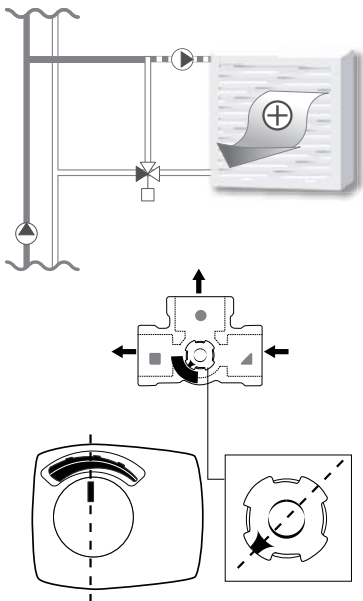
**e**



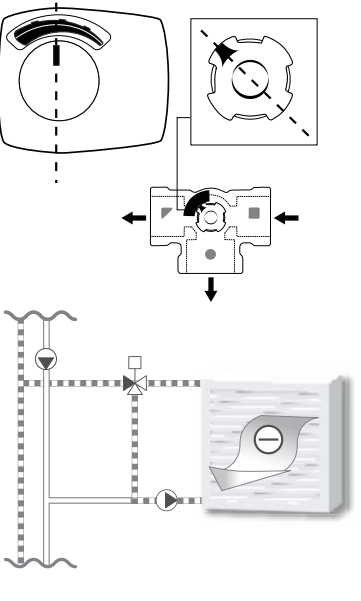
**f**



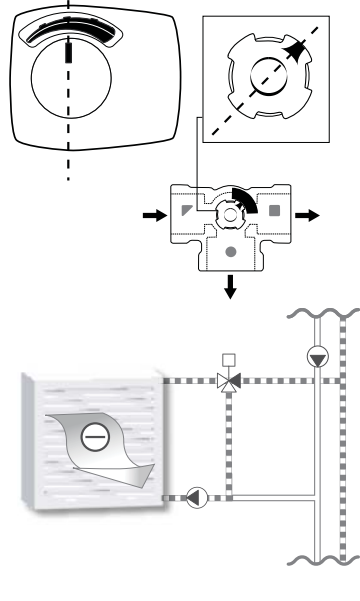
**l**



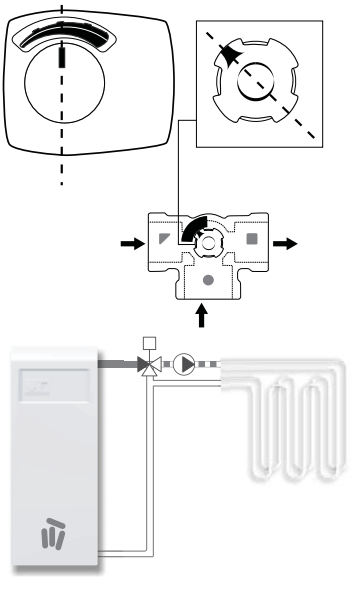
**m**



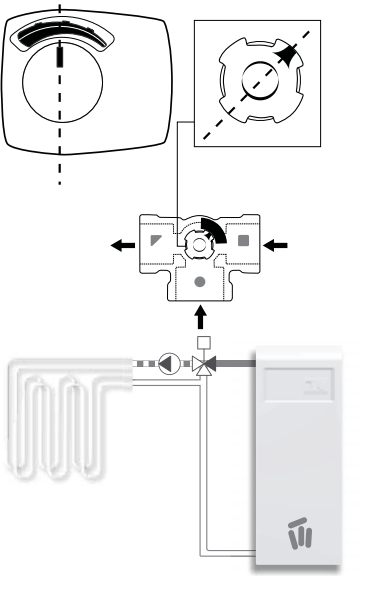
**n**



**o**

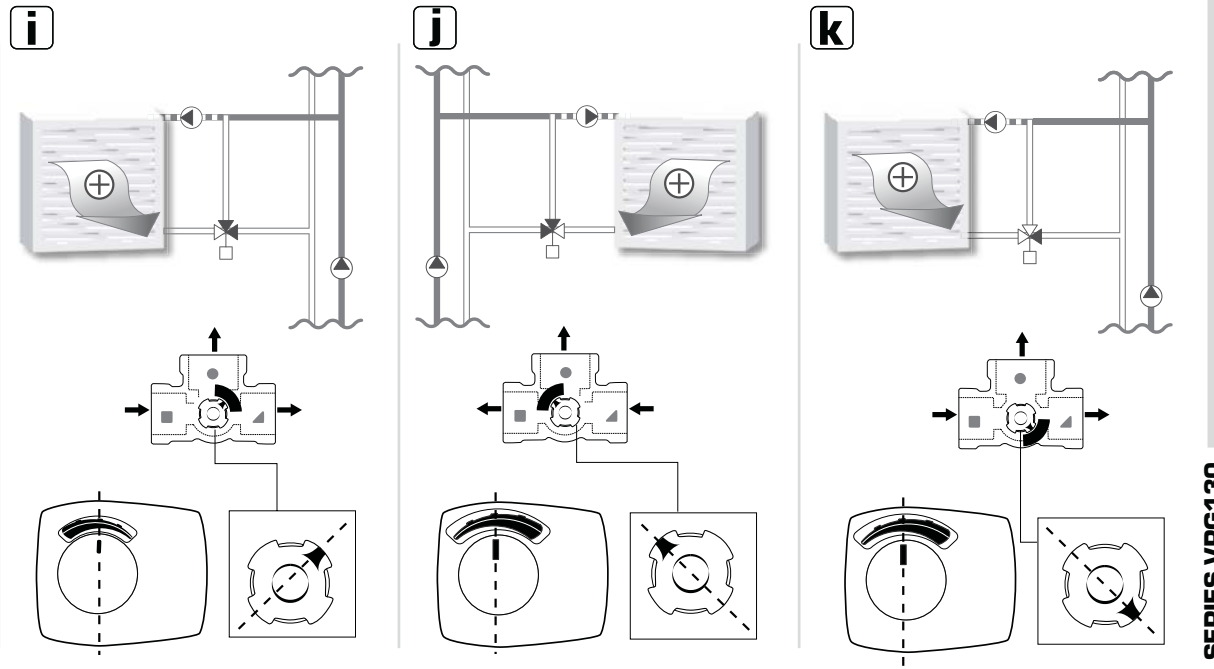
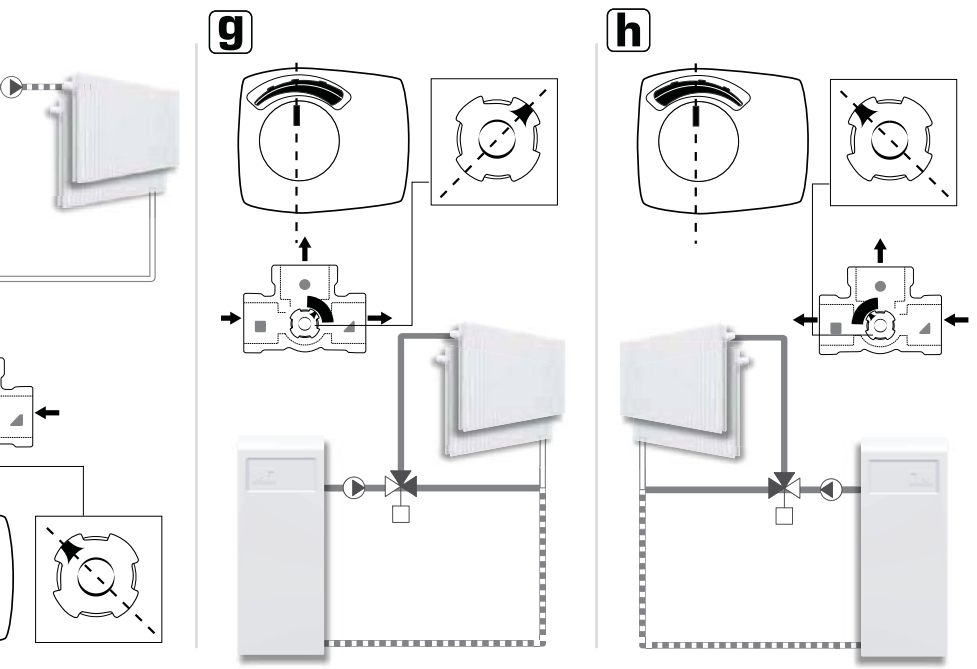


**p**



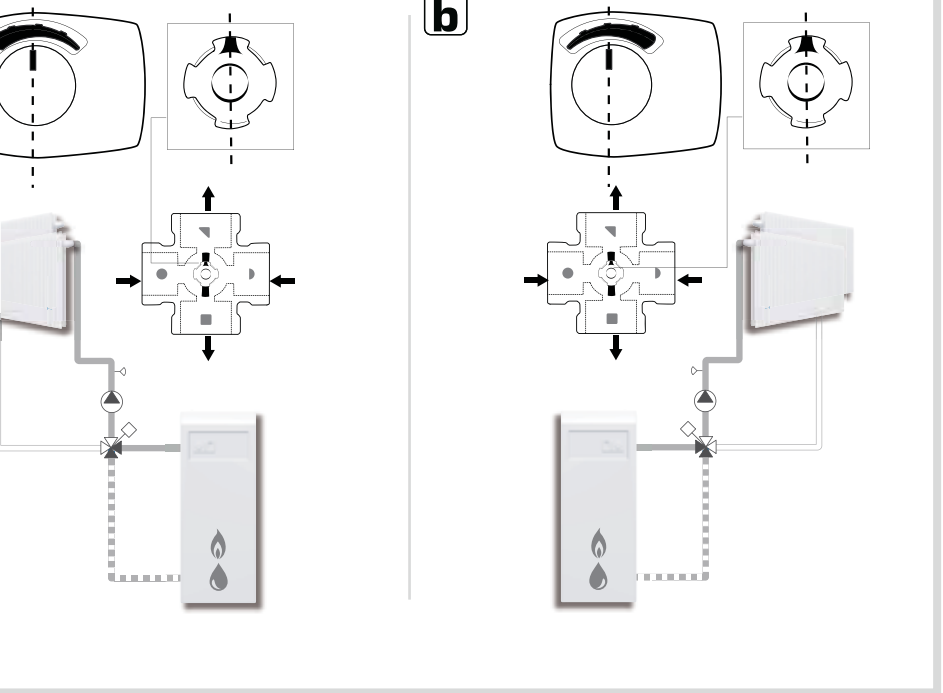
**a**



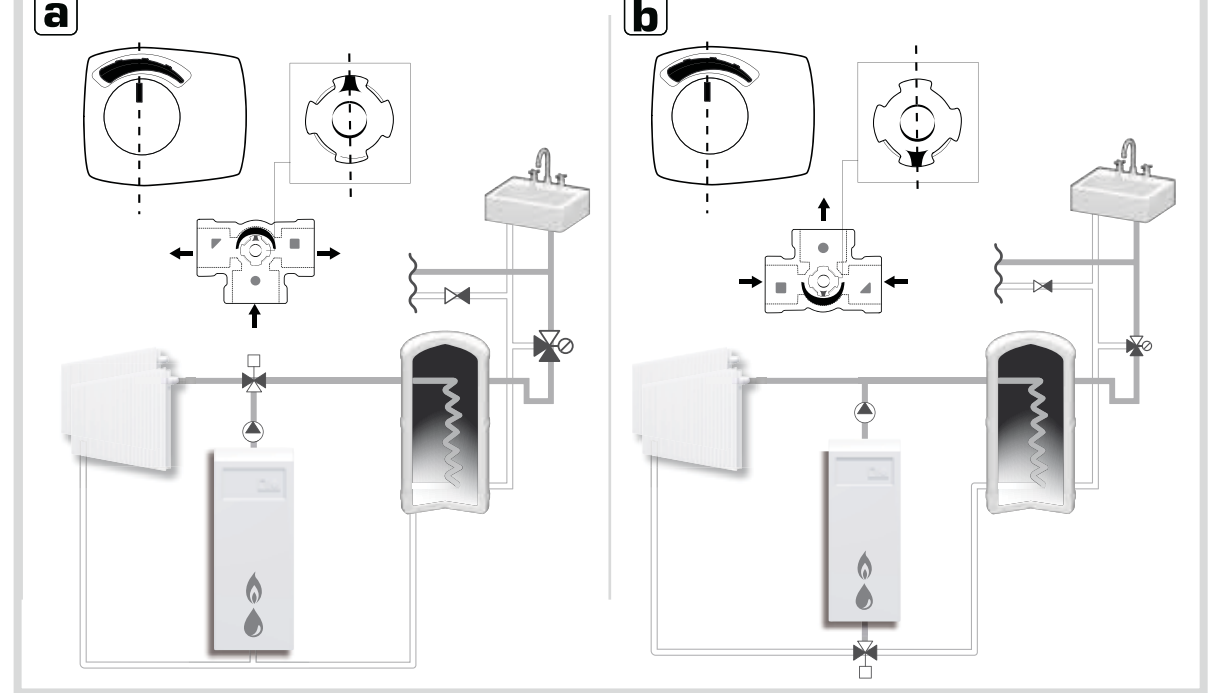


SERIES VRG130

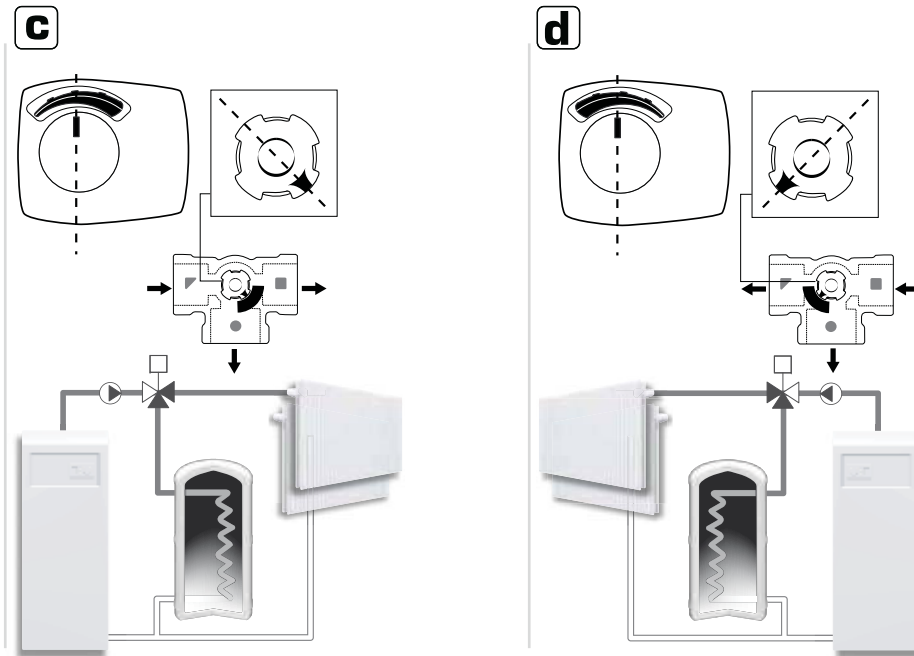
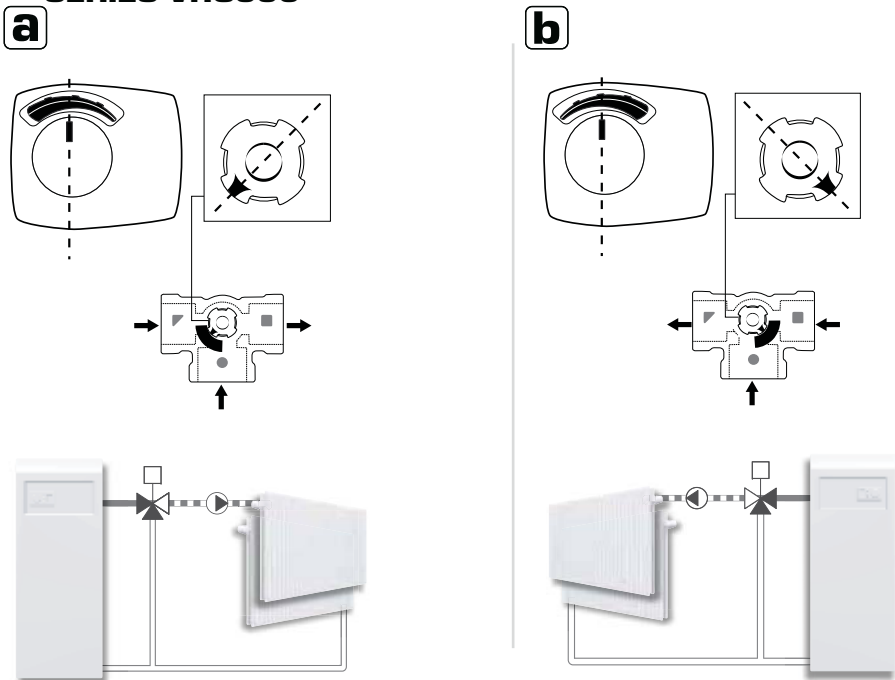
**SERIES VRG140**



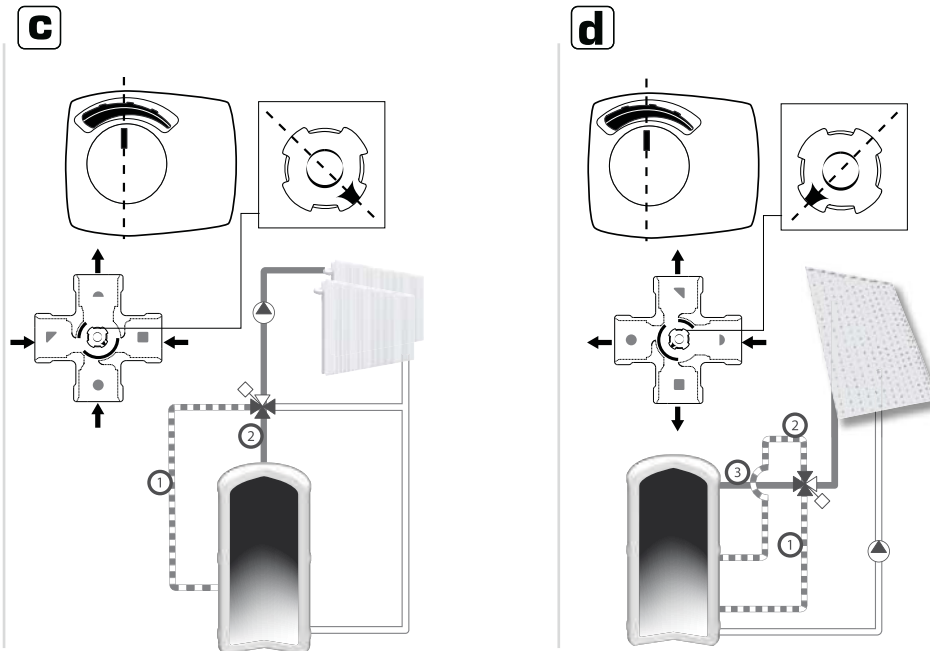
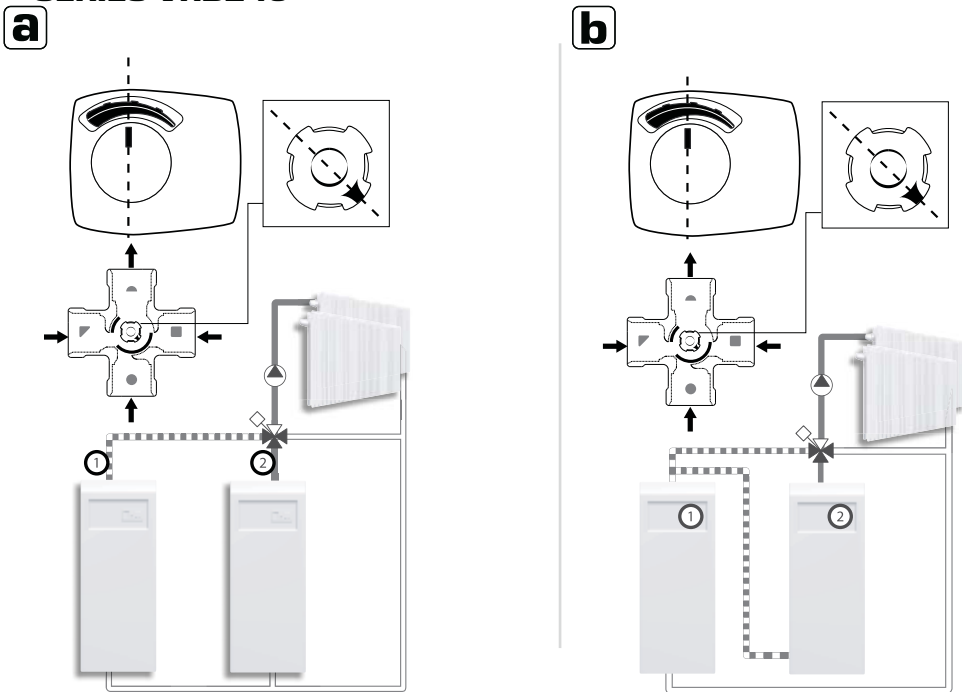
**SERIES VRG230**



## SERIES VRG330



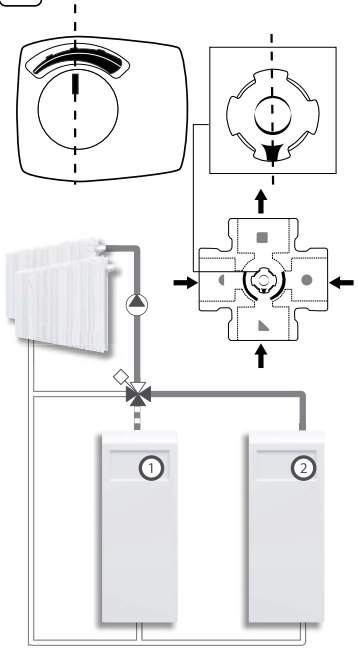
## SERIES VRB240



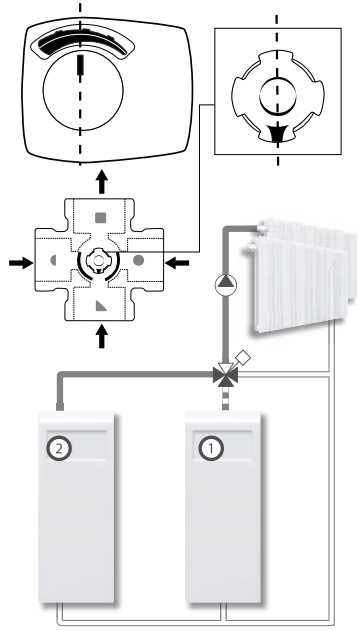
*\*We would like to pinpoint to the existence of a German patent DE 19821256C5 affecting the usage of bivalent 4-way valves in liquid circulation heating systems. In this patent the usage of a 4-way bivalent valve in a type of heating system is protected, in which 2 different heating circuits are operated in parallel, where the return of the first circuit is utilized as heat source for the second circuit. The patent is owned by the company 'Buderus' and is valid in Germany. The patent is not valid in other countries, where the floor heating in a regulated manner is heated through its heat source and the return from the primary heat circuit is utilized as alternative secondary heat source for the floor heating. Such a utilization of our product group VRB are without approval of the patent holder is forbidden. All other applications of our product group VRB are without restrictions possible.\**

**SERIES VRB140**

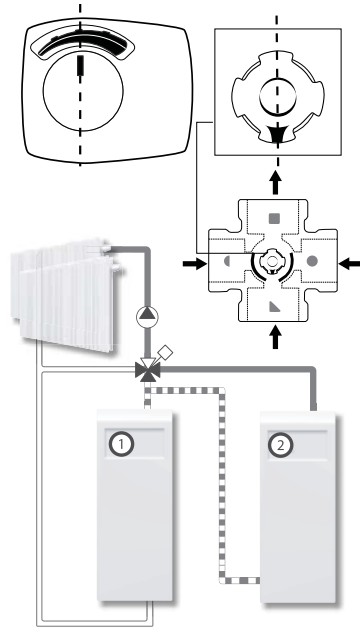
**a**



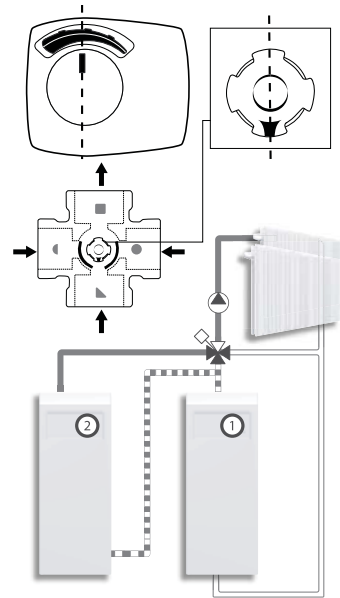
**b**



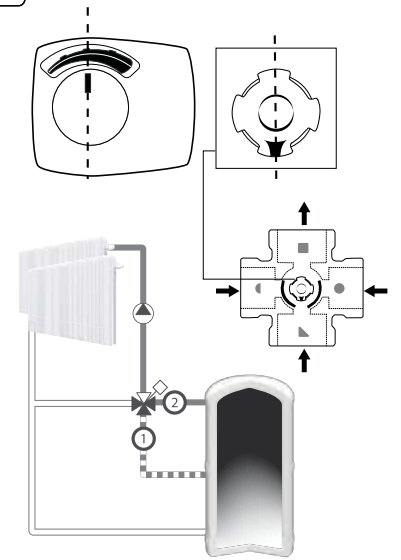
**c**



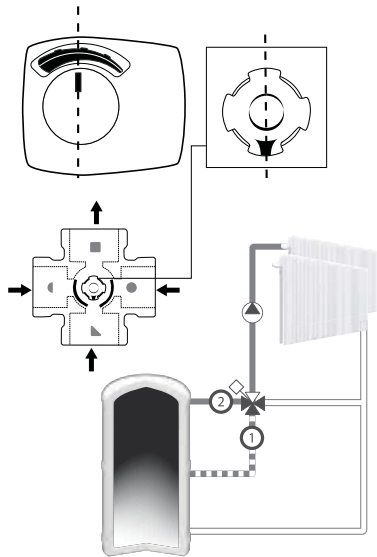
**d**



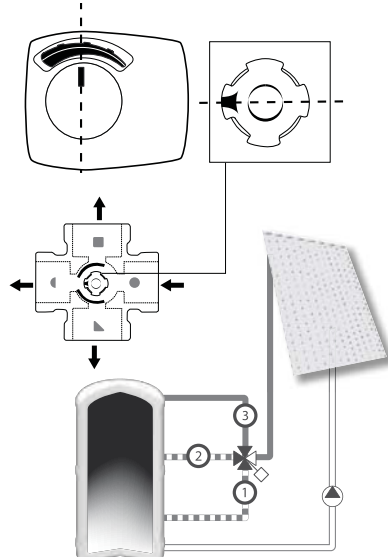
**e**



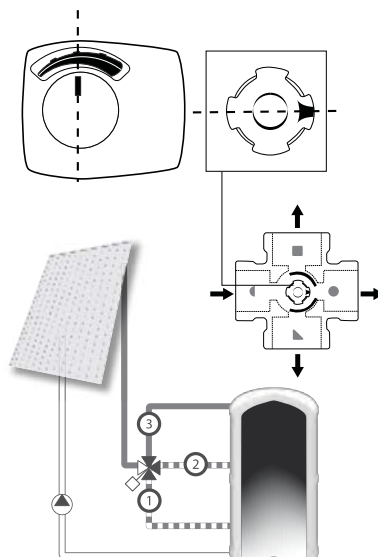
**f**



**g**



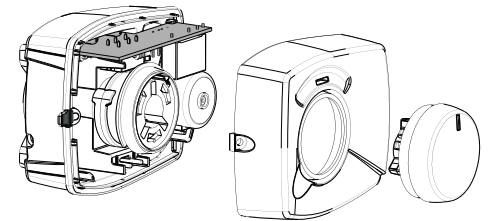
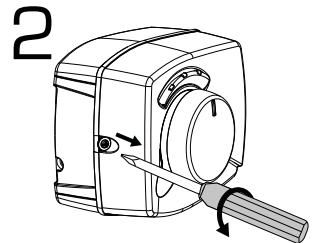
**h**



**4**

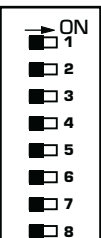
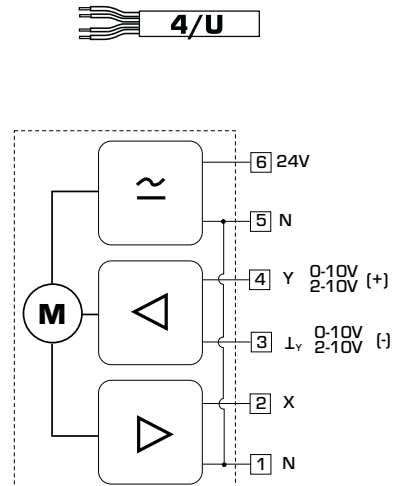
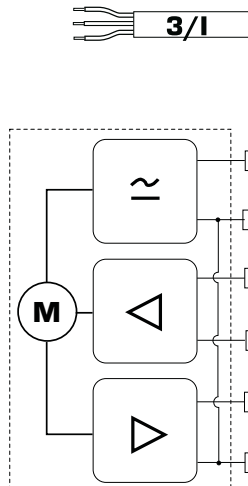
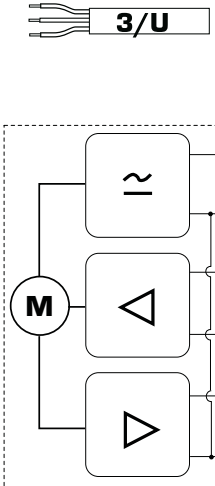
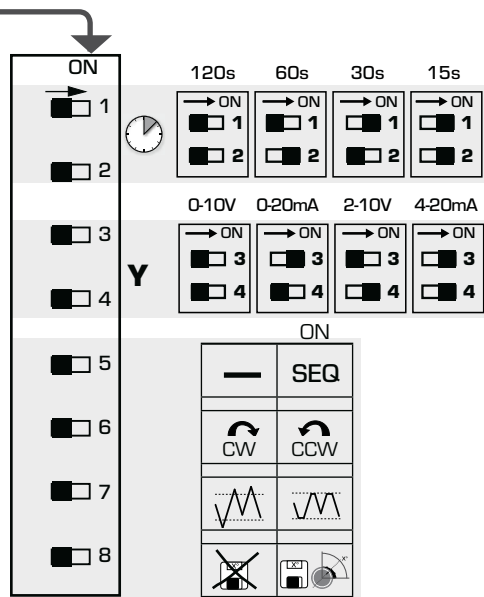


~~1~~

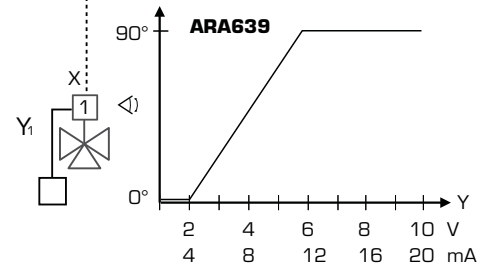
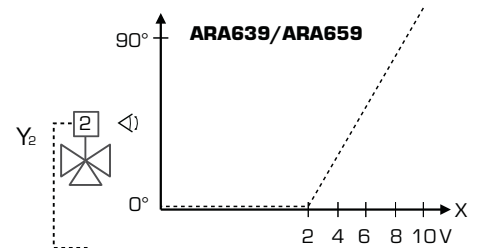
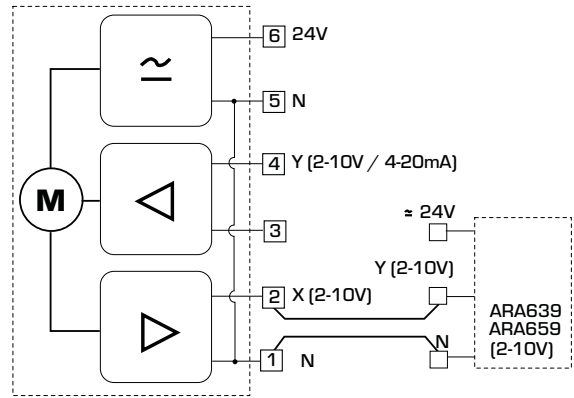
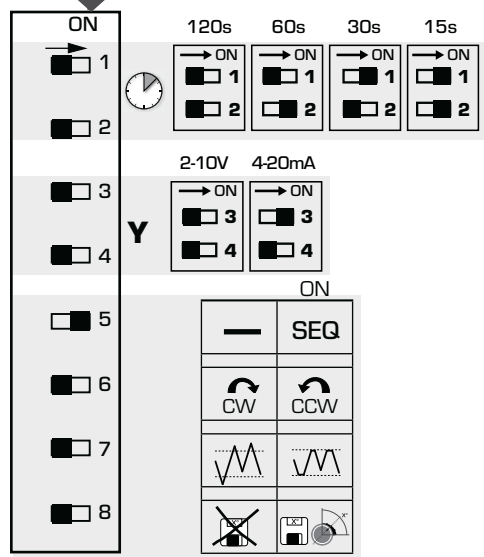
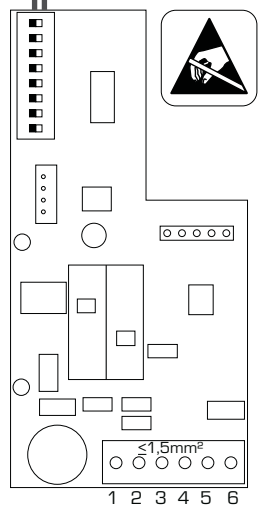




# Series ARA639

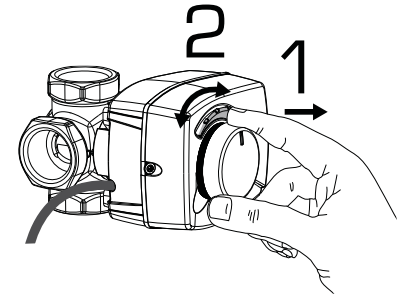
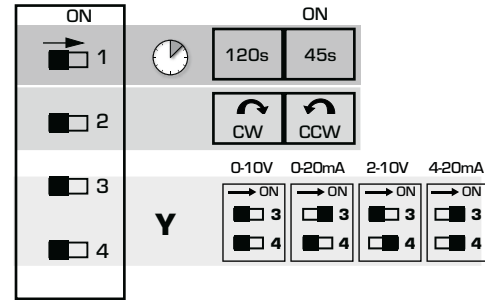
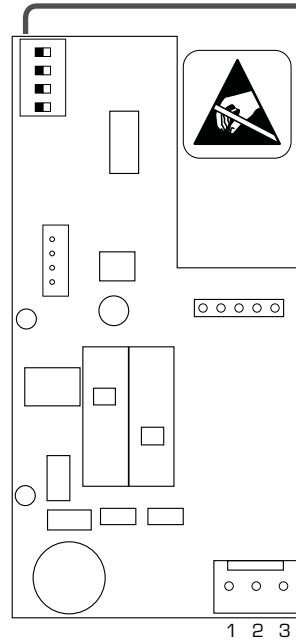
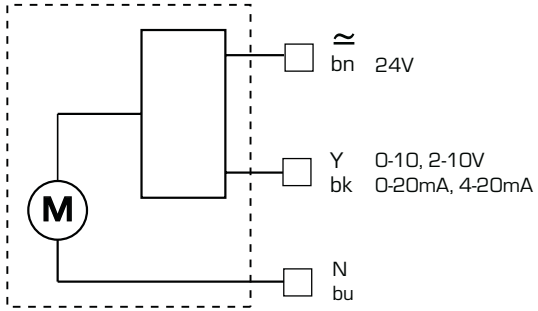


## SEQ Cntrl





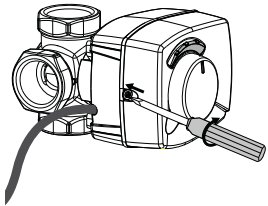
# Series ARA659



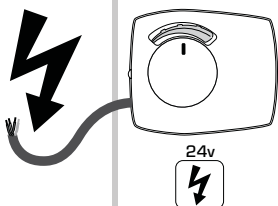
# 5



1



2



3

